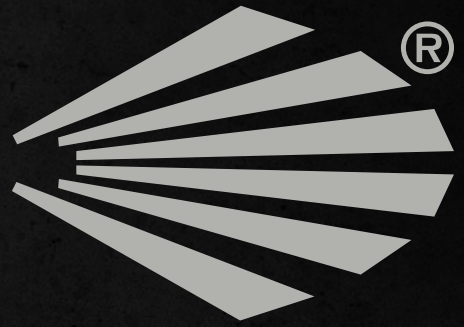


SAGOLA

an Elcometer company



HTU 250

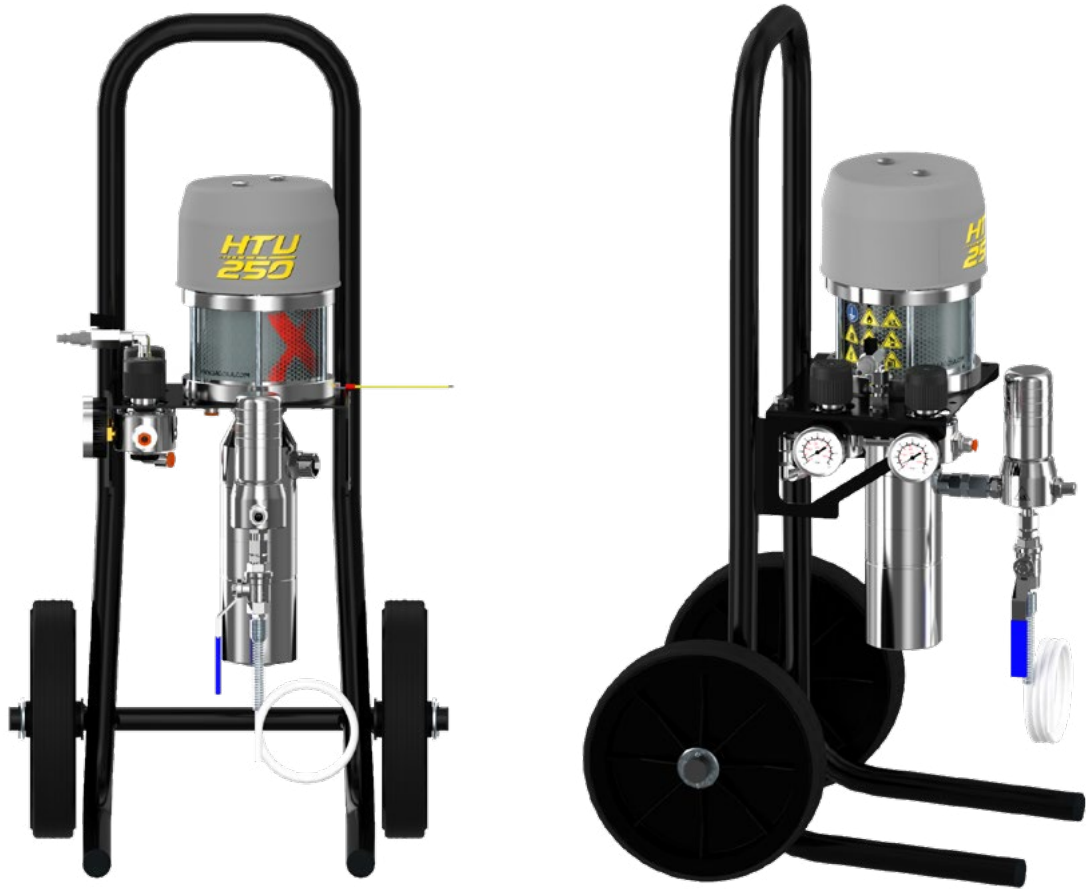
w w w . s a g o l a . c o m

HTV 250 X PROFESSIONAL MIXED RANGE

SAGOLA new professional range of vertical bellows pumps; HTV 250 X MIXED VERSION.

This line, exclusively designed and manufactured for professional use, gathers **high standards** both in term of performance and image.

Within the quality standards we focus on **simplicity and durability**. Thus, we have redesigned completely the hydraulics. This provides exceptional life in the harshest conditions of use without compromising its performance, for this reason we incorporate the bellows system that offers a long life with minimal maintenance, even in the use of more problematic materials.



SAGOLA GUARANTEE

SAGOLA offers a **3-year guarantee** for its entire product range, that covers any design or manufacturing defect in its products. Any defect in its design will be repaired or replaced free of charge to the client.



SAGOLA SPARE PARTS SERVICE GUARANTEE

SAGOLA is synonymous with **quality and service**. For this reason SAGOLA offers comprehensive guarantee of the service of components and spare parts for the perfect maintenance of all its products, even those sold over 10 years ago.

TECHNICAL ADVANTAGES

1 PNEUMATIC BODY ANODIZED FORGED ALUMINIUM.
High resistance to corrosion and wear.

2 OVERSIZED PNEUMATIC CONTROL AREA.
To avoid freezing problems and maintain a smooth functioning without any loss of performance and with minimal air consumption.

3 PNEUMATIC AREA SHAFT GROUND AND CHROMIUM-PLATED.
Long durability shafts.

4 PRODUCT AREA SHAFT TEMPERED AND CHROMIUM-PLATED.
Great durability and wearing resistance.

5 NEW BELLOWS system.
Completely eliminates packing gland leaks. Multiplies X5 the life of your conventional equipment. It requires no lubrication in the shaft area.

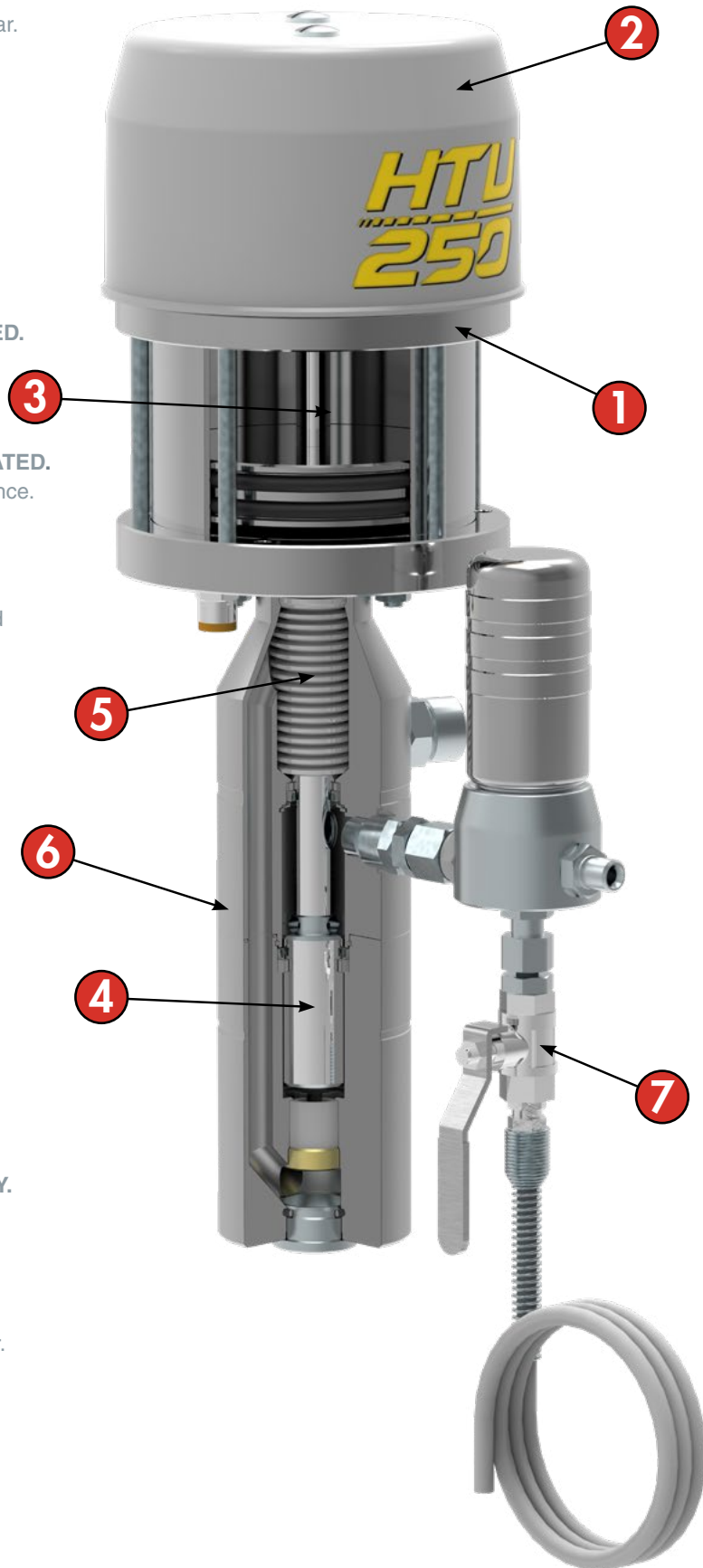
6 HYDRAULIC area BODY with ANTIOXIDANT TREATMENT.
Ideal for waterborne product.

7 NEW OVERSIZED VALVES.
The valves provide us with a better flow of material, a reduction in the speed of product passage and consequently less wear.

8 COMPACT DESIGN, STURDY and ALTA HIGH QUALITY.
With a size content.

SIMPLIFIED DESIGN.
Now there are less parts, so it is easier to maintain and repair.

Pump and Atomization regulation SYSTEM
HIGH PRECISION.



TECHNICAL ADVANTAGES

HTU 250

HTV VERTICAL BELLOWS PROFESSIONAL RANGE

The professional range HTV 250 X has been designed and manufactured with the premise of being an exclusive product for professional use with a high level of demand both in terms of performance and image.

This leads us to a complete redesign of the hydraulic zone. This provides exceptional life in the harshest conditions of use without compromising its performance, for this reason we incorporate the bellows system that offers a long life with minimal maintenance, even in the use of more problematic materials.

GENERAL APPLICATIONS: Clearcoats and waterborne paints, lacquers, enamels, basecoats, light primers,...



TECHNICAL DATA

• Pneumatic cylinder	Ø 125 mm.
• Stroke	44 mm.
• Max. air consumption (60 cycles/min.)	448 L/min. (16 cfm)
• Max. air inlet pressure	7 (bar) - 102 (psi)
• Min. inlet hose diameter Ø	6 mm - 1/4"
• Packing lubricant	Oil pack 300 900 98
• Max. product output pressure	176 bar (2,552 psi)
• Free flow (60 cycles/min.)	2.8 L/min.
• Flow per cycle	48 c.c.
• Air inlet	1/4"
• Air outlet	Automatic connector 8 mm.
• Product inlet	Ø 12 x 21 mm.
• Product outlet	BSP 1/4"
• Weight	30 kg.
• Maximum Tip	0.018"
• Trolley and absorption VERSION	30931801

HT HORIZONTAL BELLOWS PROFESSIONAL RANGE

The HT range in its Mixed version has been designed and manufactured with the needs of medium-sized industries in mind.

Ideal for automatic installations.

Valid to work with several guns at the same time.

Long life and low maintenance.

Bellows system (no gaskets).

Continuous Production.

GENERAL APPLICATIONS:

Clearcoats, lacquers, enamels, basecoats, primers, ultraviolets...



Approval



ATEX



II 2 GX

TECHNICAL DATA

HT10 HT15 HT25

• Pneumatic cylinder	Ø 135 mm.	Ø 150 mm.	Ø 200 mm.
• Stroke	44 mm.	44 mm.	44 mm.
• Max. air consumption (60 cycles/min.)	440 L/min.	545 L/min.	980 L/min.
• Max. air inlet pressure	6 bar - 87 psi	6 bar - 87 psi	6 bar - 87 psi
• Min. inlet hose diameter Ø	12 mm. - 1/2"	12 mm. - 1/2"	12 mm. - 1/2"
• Max. product output pressure	60 bar	90 bar	150 bar
• Free flow (60 cycles/min.)	9.75 L/min.	9.75 L/min.	9.75 L/min.
• Flow per cycle	110 c.c.	110 c.c.	110 c.c.
• Air inlet	1/2"	1/2"	1/2"
• Air outlet	Automatic connector 8 mm.		
• Product inlet	Ø 25 x 37	Ø 25 x 37	Ø 25 x 37
• Product outlet	BSP 3/8"	BSP 3/8"	BSP 3/8"
• Maximum Tip	0.018"	0.018"	0.018"
• Weight	41 kg	42 kg	48 kg
• Trolley and absorption VERSION	30951901	30952001	30952301
• Wall and absorption VERSION	30951902	30952002	30952302

HT RANGE TECHNICAL DATA

HT
25

SAGOLA
an Ecometer Company

ACCESSORIES and COMPLEMENTS



200 bar

- NEW aesthetics with XTREME ergonomic level.
- Forged and anodized body, providing sturdiness and protection to corrosion both externally and internally.
- The external **cleaning** of the gun are minimized by its **polished shine**.
- Easily and smoothly to use.
- **XTREME** technology nozzles, which gives an extreme level of finishing and a drastic reduction in consumption painting.
- **METAL TO METAL** technology, where all sealings are free of joints.

Mini XTREME MIX

A **perfect fusion** between speed and high transfer (above 80%) with quality finishes of **XTREME** aerographic systems.

Designed to last over time thanks to its robustness and quality of its components. To this we add its manageability, softness and reduced size making it ideal for **difficult jobs** and the **smallest mixed gun** in size of the market.

APPLICATIONS

WATERBORNE
HYDROSOLUBLES
ULTRAVIOLETS
COMPLEX JOBS

SECTORS

FURNITURE
INDUSTRY
INDUSTRIAL BODYSHOP

TIP mix aircap	Air inlet Connection	Product inlet Connection	GUN Code
11/40	Quick connector 8 mm.	Swivel coupling BSP 1/4" M	35130202
11/40	Coupling M16	Swivel coupling BSP 1/4" M	35130204
13/40	Quick connector 8 mm.	Swivel coupling BSP 1/4" M	35130206
13/40	Coupling M16	Swivel coupling BSP 1/4" M	35130208

TIP mix aircap	Air inlet Connection	Product inlet Connection	GUN Code
11/40	Quick connector 8 mm.	BSP 1/4" M	35130201
11/40	Coupling M16	BSP 1/4" M	35130203
13/40	Quick connector 8 mm.	BSP 1/4" M	35130205
13/40	Coupling M16	BSP 1/4" M	35130207



ACCESSORIES and COMPLEMENTS

Mix Aircaps (TIPS)

The fan size is indicative and it will vary depending on the viscosity and the pressure at which sprayed.

Others available nozzle and angles. Consult.



REMEMBER, always use original SAGOLA spare parts

in order to guarantee the proper operation of your painting equipment.

Recommended application	Description	Nozzle (inches / mm.)	Spray angle	Spray width at 30 cm.	Water flow at 100 bar	TIP Code
FINISHES LACQUERS ENAMELS MOLD RELEASE	Aircap 09 / 20	0.009" / 0.23	20°	100-150 mm. (4-6")	0.25 L/min. (0.066 G/min.)	81460518
	Aircap 09 / 40	0.009" / 0.23	40°	200-250 mm. (8-10")	0.25 L/min. (0.066 G/min.)	81460519
	Aircap 09 / 60	0.009" / 0.23	60°	300-355 mm. (12-14")	0.25 L/min. (0.066 G/min.)	81460521
	Aircap 11 / 20	0.011" / 0.28	20°	100-150 mm. (4-6")	0.37 L/min. (0.10 G/min.)	81460527
	Aircap 11 / 40	0.011" / 0.28	40°	200-250 mm. (8-10")	0.37 L/min. (0.10 G/min.)	81460529
	Aircap 11 / 50	0.011" / 0.28	50°	250-300 mm. (10-12")	0.37 L/min. (0.10 G/min.)	81460530
	Aircap 11 / 60	0.011" / 0.28	60°	300-355 mm. (12-14")	0.37 L/min. (0.10 G/min.)	81460528
URETHANES ACRYLICS BASECOATS AND PRIMERS	Aircap 13 / 20	0.013" / 0.33	20°	100-150 mm. (4-6")	0.57 L/min. (0.15 G/min.)	81460539
	Aircap 13 / 30	0.013" / 0.33	30°	150-200 mm. (6-8")	0.57 L/min. (0.15 G/min.)	81460537
	Aircap 13 / 40	0.013" / 0.33	40°	200-250 mm. (8-10")	0.57 L/min. (0.15 G/min.)	81460540
	Aircap 13 / 50	0.013" / 0.33	50°	250-300 mm. (10-12")	0.57 L/min. (0.15 G/min.)	81460541
	Aircap 13 / 60	0.013" / 0.33	60°	300-355 mm. (12-14")	0.57 L/min. (0.15 G/min.)	81460542
BASECOATS AND PRIMERS	Aircap 15 / 20	0.015" / 0.38	20°	100-150 mm. (4-6")	0.72 L/min. (0.19 G/min.)	81460549
	Aircap 15 / 40	0.015" / 0.38	40°	200-250 mm. (8-10")	0.72 L/min. (0.19 G/min.)	81460550
	Aircap 15 / 50	0.015" / 0.38	50°	250-300 mm. (10-12")	0.72 L/min. (0.19 G/min.)	81460551
	Aircap 15 / 60	0.015" / 0.38	60°	300-355 mm. (12-14")	0.72 L/min. (0.19 G/min.)	81460552
BASECOATS ANTICORROSIVE PRIMERS HIGH VISCOSITY PRODUCTS	Aircap 16 / 50	0.016" / 0.41	50°	250-300 mm. (10-12")	0.91 L/min. (0.24 G/min.)	81460561
	Aircap 18 / 40	0.018" / 0.46	40°	200-250 mm. (8-10")	1.10 L/min. (0.29 G/min.)	81460575
	Aircap 18 / 60	0.018" / 0.46	60°	300-355 mm. (12-14")	1.10 L/min. (0.29 G/min.)	81460577
	Aircap 21 / 40	0.021" / 0.53	40°	200-250 mm. (8-10")	1.52 L/min. (0.40 G/min.)	81460590
	Aircap 21 / 80	0.021" / 0.53	80°	405-457 mm. (16-18")	1.52 L/min. (0.40 G/min.)	81460593

High pressure hose assembly



Code	Description
86463804	5 m. air hose 8 x 10 mm. + product
86463869	7 m. air hose 8 x 10 mm. + product
86463805	10 m. air hose 8 x 10 mm. + product
86463806	15 m. air hose 8 x 10 mm. + product
56414036*	7 m. air hose 6 x 8 mm. + product
56414037*	11 m. air hose 6 x 8 mm. + product

* Version for gun with quick connection

Accessories Filters Antipulsation Pump



Code	Description
83660009	100 mesh filter
83660010	60 mesh filter

Product filters for MINI XTREME gun



Code	Description
56418057	Filter holder (1/4" - 3/8") + Mesh filter (100+60)
56418053	100 mesh filter (10 units)
56418054	60 mesh filter (10 units)
83660037	100 layers filter
30010015	Micro-filters tip (10 units)

Accessories for MINI XTREME gun



Code	Description
56410104	Filter holder
56418615	Product tube kit



SAGOLA will refuse any responsibility for the damage of defects caused by equipments with a similar appearance to the originals. These equipments are imitations that **HAVE NOT BEEN MANUFACTURED BY SAGOLA, S.A.U.** The SAGOLA S.A.U. products are exclusively sold through our distributors, with spare parts and a 3-year worldwide guarantee against design and/or manufacturing defects.

ISO CERTIFICATES



SAGOLA S.A.U. has always displayed the quality of its products with pride, but lately, in view of its ever more demanding clients, it has obtained certifications that vouch for the guarantee of its know-how and its impeccable organisational quality.



MADE IN
SPAIN



SAGOLA, S.A.U.

Urarte, 6
01010 Vitoria - Gasteiz
(Álava) SPAIN
Tel.: (+34) 945 214 150
Fax: (+34) 945 214 147
sagola@sagola.com
www.sagola.com